

# Feral Cat Feeding Station

## Front Porch Felines

### Issue 1/28/2018

## Instructions

1. Purchase materials.
2. Cut all parts per cut sheets.
3. Follow mfg instructions to prime and paint all parts either before or after cutting.
4. Assemble parts starting with the two sides. Attach the siding sheets to the uprights using 1.25" screws and then attach shelving cleats to inside of siding. **Note:** *Use screws for long term holding strength, disassembly, and loosening of joints over time.*
5. Place both the side pieces on a flat surface and attach the back.
6. Stand up and attach the bottom and then the top interior shelves.
7. Attach the roof making sure to provide the dimensioned overhangs. **Note:** *if disassembly is anticipated, attach the roof to the siding using cleats so that the top of screws are accessible.*
8. Attach a nailing cleat to the front cross piece and then attach per drawings then screw to the roof sheet with 1.25" deck screws.
9. Attach the bottom edge drip lip.
10. Attach shingles following shingle mfg instructions.
11. Attach drip lip to upper edge of room.

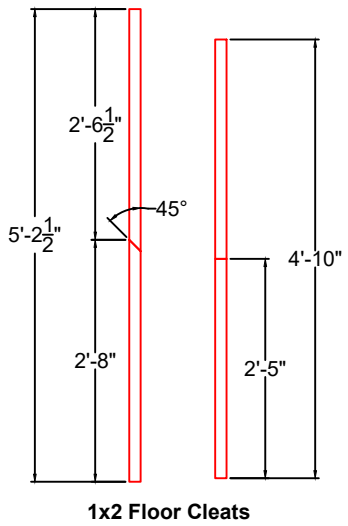
#### Legal Stuff

##### License

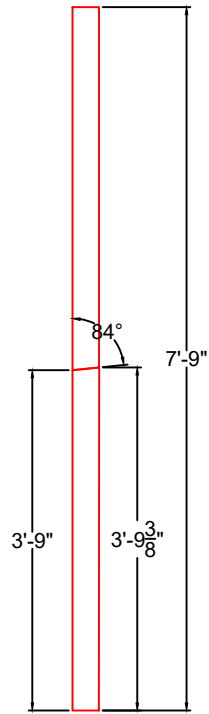
This design is offered free of charge to individuals and organizations to build and use. Contact Front Porch Felines if constructing for profit or resale.

##### Limited Warranty

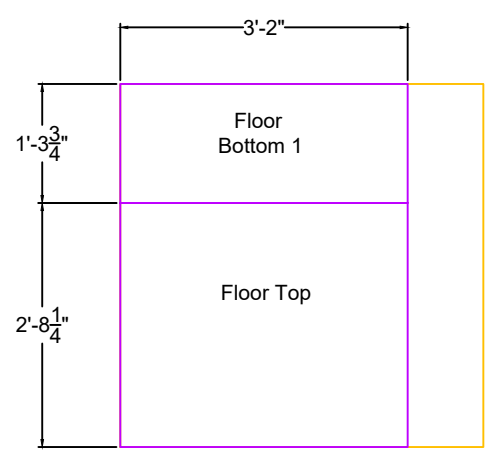
This design is offered as-is without warranty or support for any incurred direct or consequential damages.



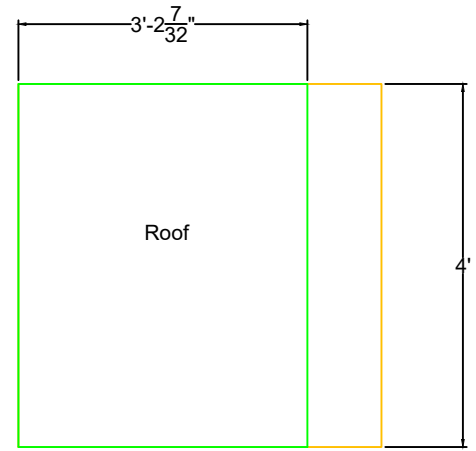
1x2 Floor Cleats



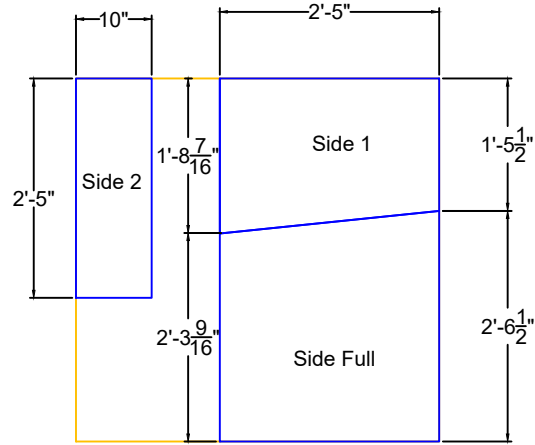
2x4 Legs x2



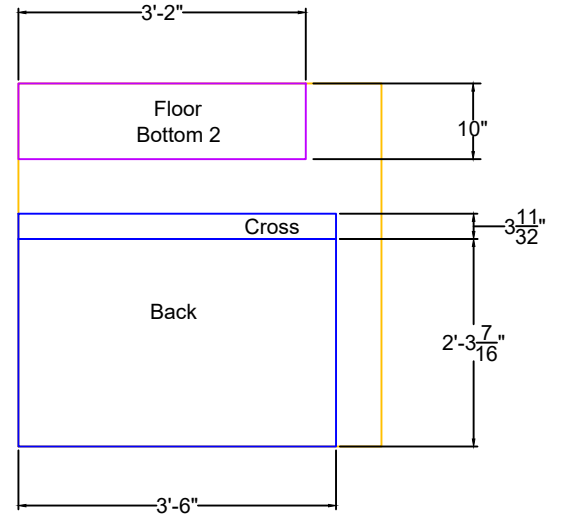
1/2" 4x4 Exterior Plywood



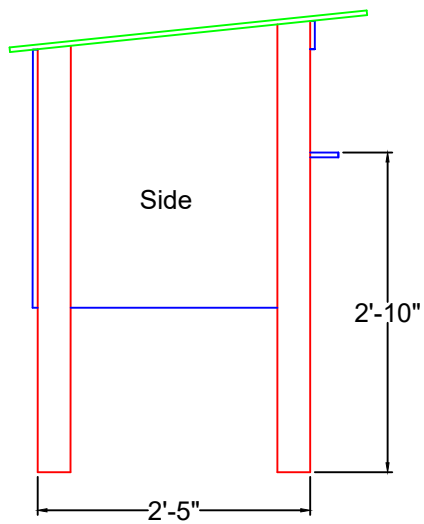
1/2" 4x4 Exterior Plywood



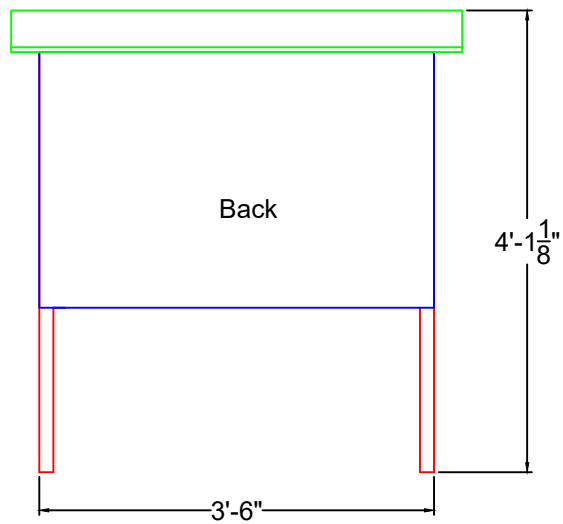
1/2" 4x4 Exterior Plywood



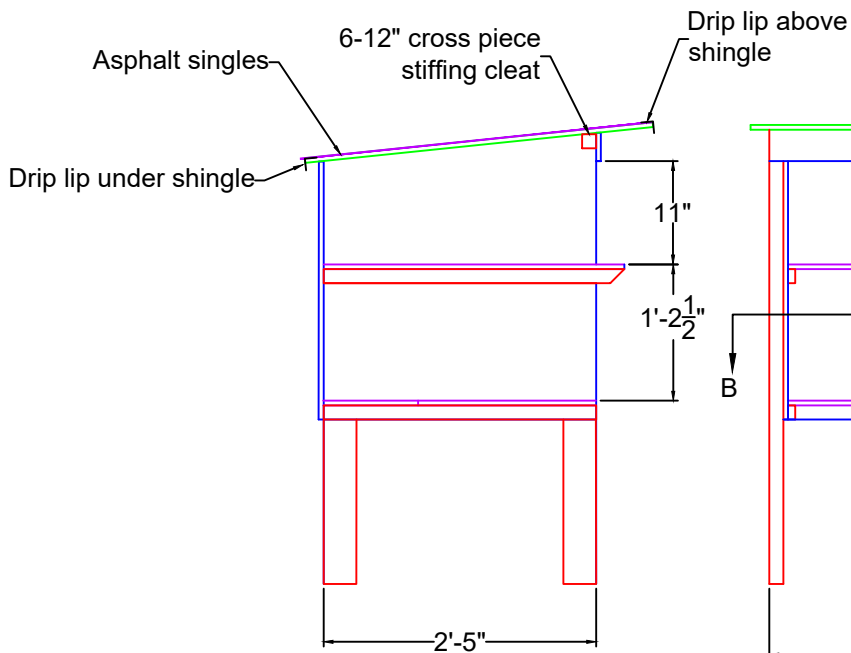
1/2" 4x4 Exterior Plywood



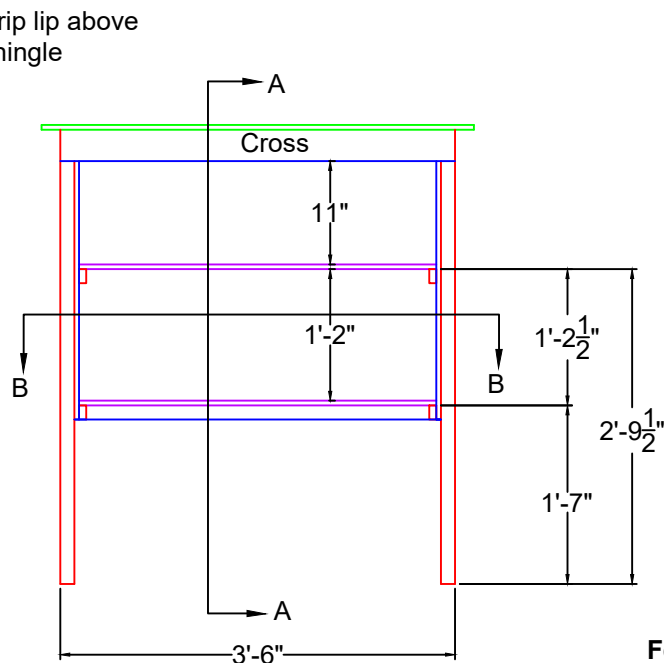
**Side Elevation**



**Back Elevation**

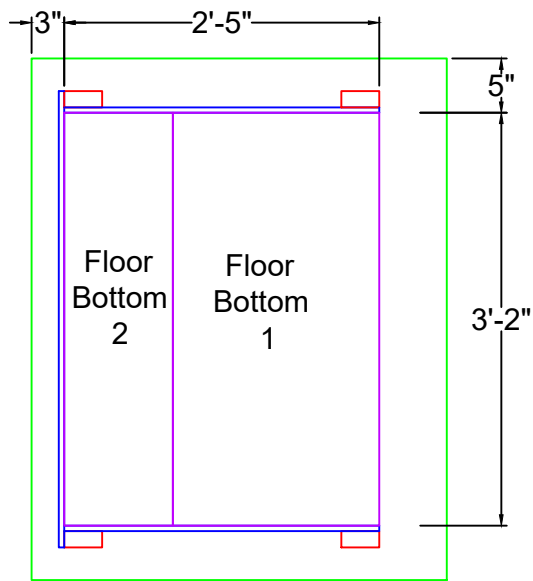
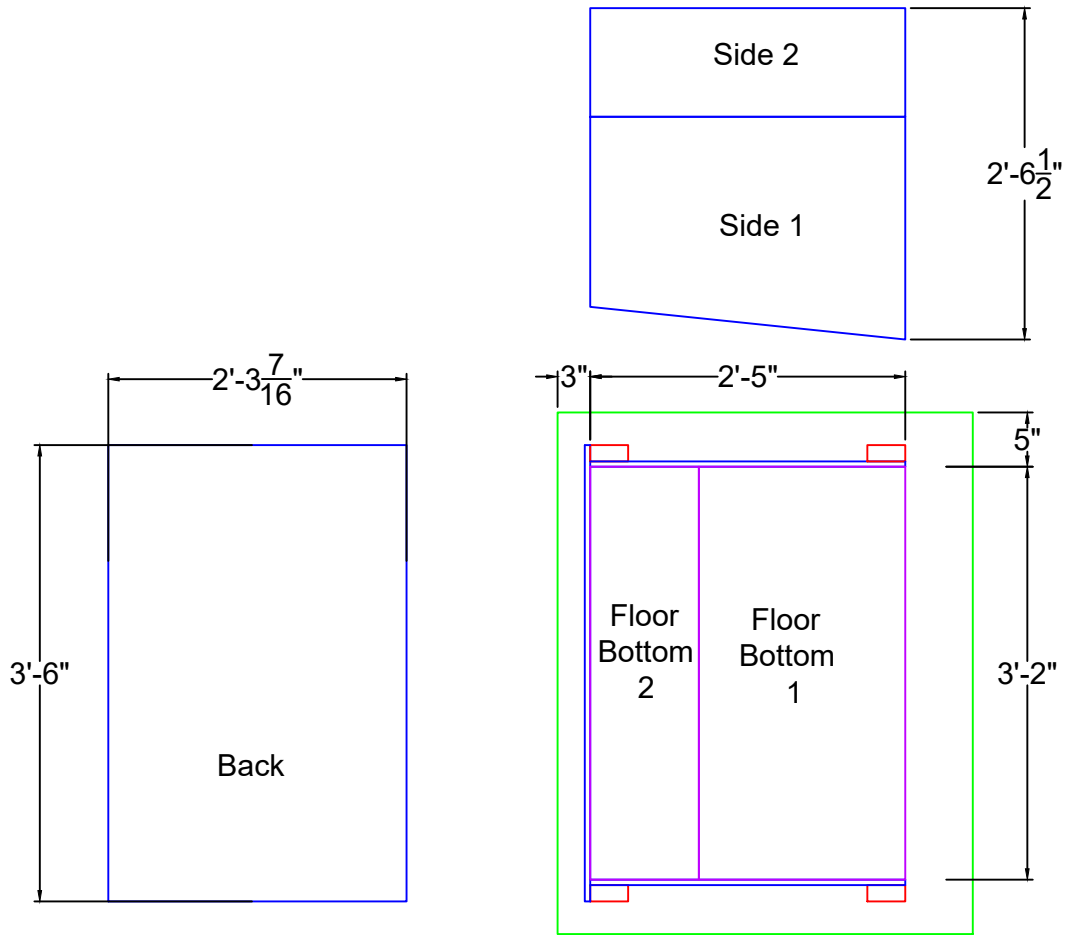


**Section A-A**

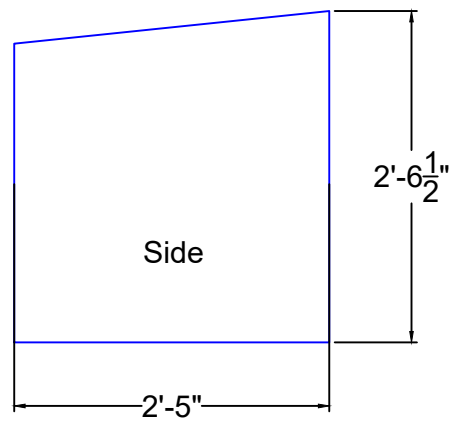


**Front Elevation**

**Feral Cat Feeding Station 2  
Assembly Elevations  
WM, 10/15/2017**



**Section A-A  
and Roof**



**Feral Cat Feeding Station 2  
Plan View and Roof  
WM, 10/15/2017**

**Frontporch Felines  
Cat Feeding Station**

1/30/2018

Descirption	Size	Units	Qty	Use	Comments
2x4 8'	8'	Feet	2	Uprights	Uprights are exposed and painted so a higher grade materials with fewer knots will be easier to paint and more resistant to weather.
1x2 8'	8'	Feet	2	shelf cleats	We used firming strips.
1/2" Exterior Plywood	4x8	Feet	2	siding, shelves, roof	Exterior plywood is water resitanced. OSB sheeting will also work but it much harder to paint and not nearly as strong. One good use for OSB is the roof.
Asphalt Singles	14	sf		Roof	Any roofing can be used including roll, corrigated, and metal. We used asphalt because it is was cheap and easier to apply than alternatives. We bought a packet of shingles which was rated to cover 32.4sf but remember to allow about 20% extra for top and bottom edges and offsets. We read and followed label instructions and it worked great but we did not
Drip Lip	10	Feet	1	Top and bottom roof edges	Drip lips protect exposed ends from getting wet and rotting. The also provide a means of securting the upper edge to prevent wind from getting unter and
Deck screws	3"		8	Roof to uprights	We used longer screws to attach the roof to the 2x4 uprights. Qty is approx.
Deck screws	1.25"		50	siding to uprights	Used attach 1/2" sheet to supports. 1.25" is long enough to attach shiding and cleats without
Roofing Staples or nails.	1/2"		100	Attach singles to room.	We use 1/2" crown staples and a staple gun. If longer roofing nails or staples are used then the thickness of the roof needs to be increased. This can easily be done by adding another layer of 1/2"
Primer paint	Per mfg instructions			All wood surfaces including uprights and siding both inside and out.	Primer is essential. Without it paint will not attach to the word and will peel or flack off where exposed to sun and rain. We painted all woods before assembly. Sheets can be primed before or after cutting. If after
Exterior paint	Per mfg instructions			Paint all exposed surfaces.	Exterior paint can be water or oil based enamel. We used wate based because it was easier to clean up. We also painted all pieces before assembly which seemed easier at the time but as long as all parts are primed, painting after assembly would be fine.